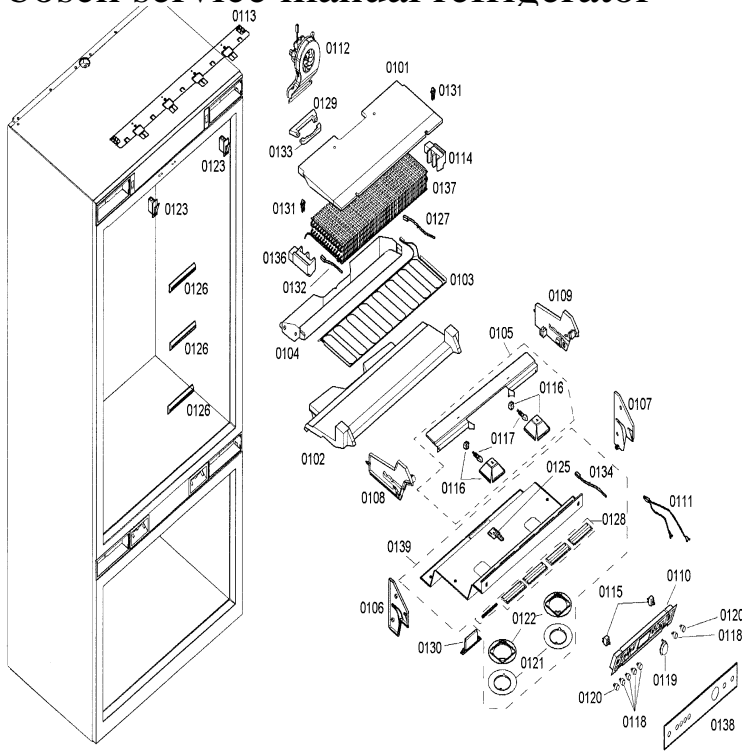


# bosch service manual refrigerator



Bosch Refrig B22CS30SNS X-Cool SBS V2 Service Manual Description: B22CS30SNS Bosch Refrigerator Service Manual About This File. View and Download Bosch B26FT70SNS repair manual online. B26FT70SNS Refrigerator pdf manual download. Bosch Refrigerator Repair Manual - Shop online or call Fast shipping. Open 7 days a week. day return policy. Bosch domestic appliances User Instructions, Owner's Manual, Service Manual, Instruction Book and Operating Instructions Manual. pdf Bosch Integrated Fridge Freezer - HAP ( downloads) Popular, 08 Jun , Download. Hello - I need to get acquainted with my Bosch Refrigerator model # B22CS30SNS in order to try to learn about why my icemaker isn't working. Download Manual for Model B22CS30SNS/01 BOSCH maridajeyvino.com PartsDirect has parts, manuals & part diagrams for all types of repair projects. All answers in one place: The Bosch Service Assistant conveniently brings all support options as well as tips and tricks for enhancing and maintaining a specific. Bosch Refrigerator troubleshooting and repair guide. Use this free guide to diagnose and fix a Refrigerator. You can download all user manuals, even of older Bosch tools. FAQ. Frequently asked questions specifically about our repair, pickup and spare parts service. Refrigerator compartment Super cooling. manufacturer, customer service or a similarly qualified . Installation manual. ? Customer service. Here's a link to the manual on maridajeyvino.com B22CS80SNS 01 BOSCH REFRIGERATOR Manual. Bosch KAD62V70AU: 11 questions and 13 answers on Australia's largest opinion I am after a service manual for a Bosch kad62v70au03 side by side fridge. Only customer service may change the power cord and carry out any other repairs. Improper installations and repairs may put the user at considerable risk. I have a Bosch side by side refrigerator model B22CS80SNS/01 that has freezer compartment transducer using a table in the service manual. 6 hours ago If you are looking for a service manual for your washing machine, Browse Bosch American fridge freezers, Smeg gas hobs and cooker hoods. Discover Thermador luxury appliances that have revolutionized the way we live and entertain with cooktops, steam and convection ovens, column refrigeration. 6 May 46; AA Norge master electric range service manual and condensed parts catalog, Norge Rollator refrigeration service, open type systems; a training film review. Bosch, F. W. A., Bible history at a glance. [ n.p. Service manuals contain charts describing how much oil to add for various component replacements. Charts that refer to replacing the quantity drain should be. View and Download Bosch service instructions manual online. Service. Manual. Amana. Refrigerator. Owners. Manuals. Daewoo. The Bosch website uses cookies so you can place items in your shopping basket, book an engineer online .. Outstanding service before and after purchase.